

AHCP

DESCRIPTION

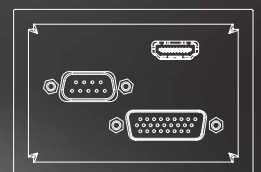
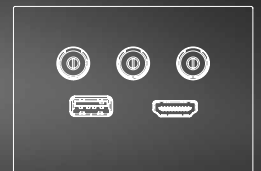
Audio/HD-Video Connector Panel

AlsterAero's AHCP is beautifully designed as a combined audio, video and USB connector panel.

It provides a USB 2 connector for PAX AV content integration and for charging PAX devices with up to 15W.

A HDMI socket and a CVBS jack can be used for connections of PAX video sources like game consoles to AlsterAero's VDEU.

The line level stereo analog audio input is routed to an integrated analog-digital converter. The digitized AES audio can be routed to AlsterAero's AMP6 Hifi amplifier.

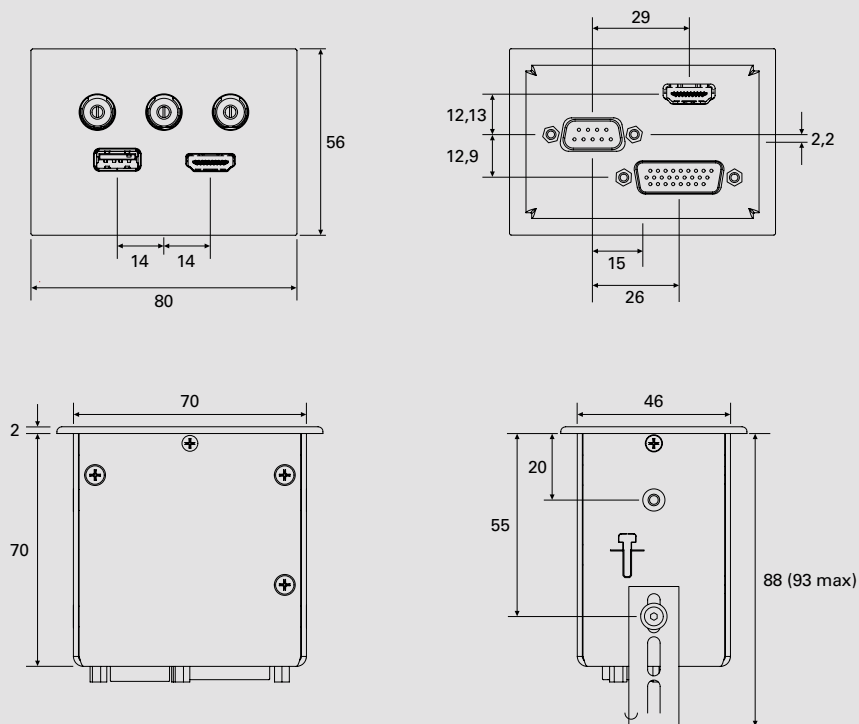


FEATURES

- compact size
- HDMI input socket for passenger video sources
- USB 2 socket for charging (up to 15W) and for integration of multimedia content
- stereo audio input with A/D converter for digital audio link to AMP6 Hifi amplifier
- different plating options available for bezel
- versatile mounting hardware
- 28V supply

OUTLINE DRAWING

dimensions are millimeter (mm)



QUALIFICATION

- DO160

CONTACT

AlsterAero GmbH
 Heidenkampsweg 43
 20097 Hamburg
 Germany



phone : +49 (0) 40 2482712-0
fax : +49 (0) 40 2482712-22

email : info@alsteraero.com
web : www.alsteraero.com