

# AIU

## DESCRIPTION

### Analog IO Unit

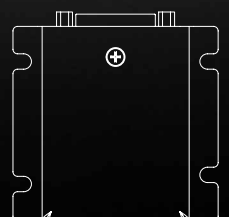
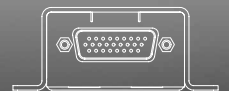
The Analog IO Unit features four analog inputs and four analog outputs.

Three analog inputs are configured as voltage inputs 0-10V. One analog input is configured as a current input 0-20mA. The current input is equipped with an internal 20mA current source that may be used by external equipment.

Two analog outputs of the AIU are voltage outputs 0-10V.

Each of the two remaining analog outputs are - as an orderable option - configured either as a voltage or as a current output.

The communication with CMS controllers takes place via a TIA-485 bus interface.

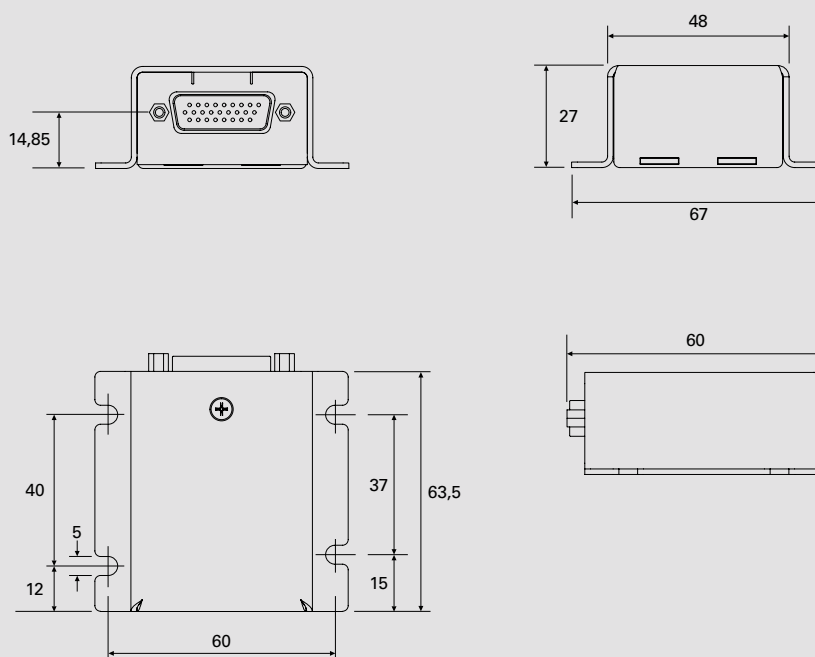


## FEATURES

- compact size
- 28VDC supply 3W
- three analog voltage inputs 0-10V
- one analog current input 0-20mA
- two analog voltage outputs 0-10V
- two analog outputs each orderable as current or voltage output.
- RS-485 bus interface to CMS controllers.

## OUTLINE DRAWING

dimensions are millimeter (mm)



## QUALIFICATION

- DO160

## CONTACT

AlsterAero GmbH  
 Heidenkampsweg 43  
 20097 Hamburg  
 Germany

**phone** : +49 (0) 40 2482712-0  
**fax** : +49 (0) 40 2482712-22



**email** : info@alsteraero.com  
**web** : www.alsteraero.com