

DCU3

DESCRIPTION

The three-channel Discrete Control Unit is a general input-output controller for AlsterAero's integrated Cabin Management System.

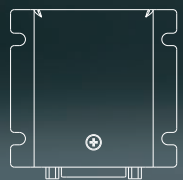
The connection to AlsterAero's CMS control is established via a TIA-485 bus. This two wire connection and the very small housing makes the DCU3 an ideal choice for distributed installation directly at loads to be switched like lights, heaters, window shades, or input sources like pushbuttons or discrete outputs of other units.

As the discrete outputs, the DCU3 integrates three load relays, each capable of switching 2A DC. Three galvanically decoupled discrete inputs are implemented as current sources for external switch connections.

The DCU3 also serves to adapt the PSP1 and TSP2 switch panels to AlsterAero's CMS. For this purpose the DCU3 integrates three PWM outputs that control the LED backlight of the switch panels.

Due to its integrated microcontroller, the DCU3 can arbitrarily switch the relay outputs, the PWM outputs as well as feed back the discrete input values to the CMS data bus software control.

The DCU3 is sourced by 28VDC.

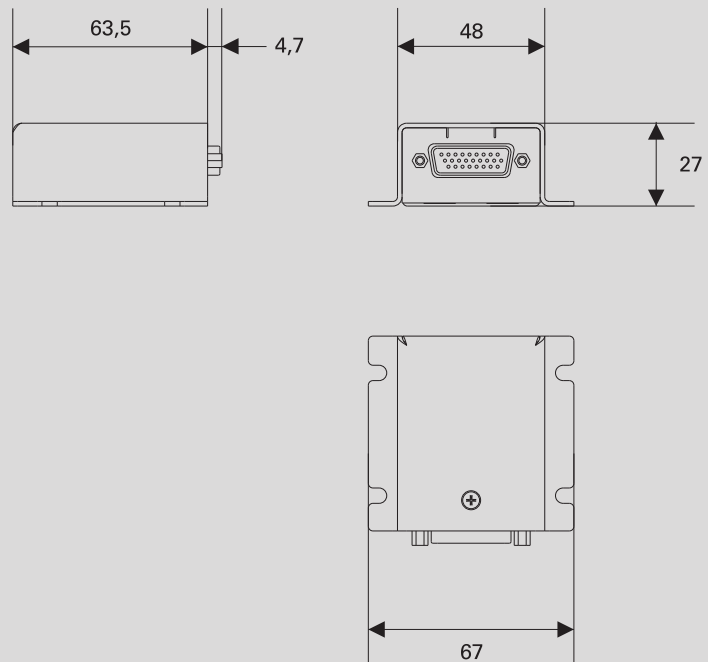


FEATURES

- three discrete outputs with 2ADC load relays
- three galvanically isolated discrete current source inputs
- very small outline dimensions
- three LED PWM outputs for connection of AlsterAero's switch panel TSP2 and PSP1
- TIA-485 data bus, up to eight DCU3 connectable
- microprocessor control for customizable behaviour

OUTLINE DRAWING

dimensions are millimeter (mm)

**QUALIFICATION**

- DO160

CONTACT

AlsterAero GmbH
Heidenkampsweg 43
20097 Hamburg
Germany

phone : +49 (0) 40 2482712 - 0
fax : +49 (0) 40 2482712 - 22



email : info@alsteraero.com
web : www.alsteraero.com