

NDPU2

DESCRIPTION

Network Switch and Power Supply

The NDPU2 integrates a managed Ethernet switch and AVOD server for AlsterAero’s cabin network.

The NDPU2 features a 300W Power over Ethernet supply that sources power to up to eight peripheral devices.

The AVOD server component in the NDPU2 provides a fast 64-bit processing unit and allows to store 2TB of multimedia data.

For easy installation, maintenance and fault isolation, the NDPU’s management controller collects health data of the peripheral units, of the NDPU internal status and of its interfaces.

For quick access by the crew and maintenance staff, the data can be presented on AlsterAero’s OCP.

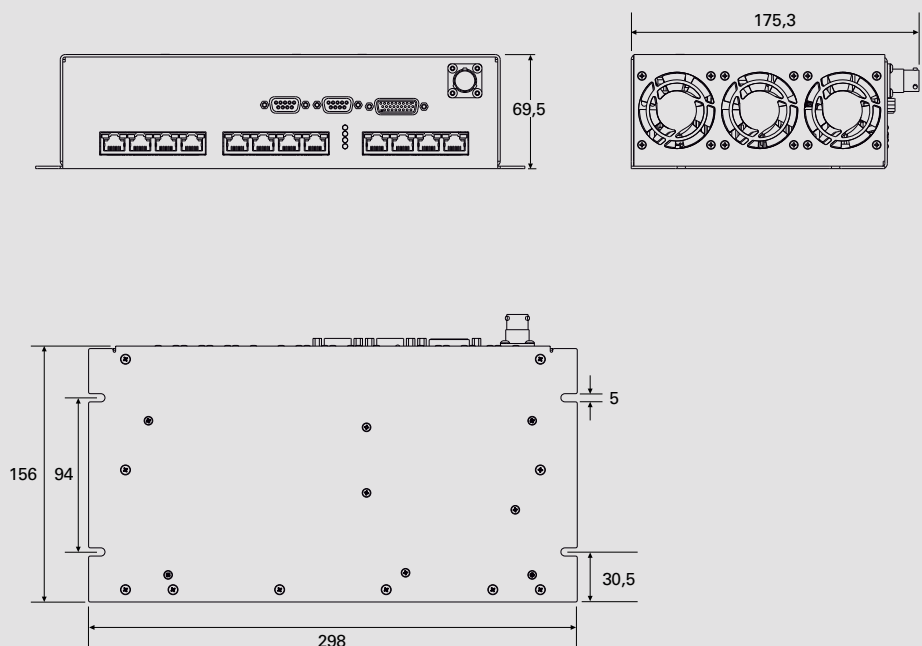


FEATURES

- compact size
- eight peripheral 1000BASE-T Ethernet interfaces.
- power over Ethernet PSE for peripheral units with up to 300W total.
- two backbone 2.5GBASE-T Ethernet interfaces
- two backbone 1000BASE-T Ethernet interfaces
- integrated network configuration and management software.
- integrated powerful 64-bit server computer
- integrated 2TB solid state storage for multimedia and applications
- 115VAC WF power supply

OUTLINE DRAWING

dimensions are millimeter (mm)



QUALIFICATION

- DO160

CONTACT

AlsterAero GmbH
Heidenkampsweg 43
20097 Hamburg
Germany



phone : +49 (0) 40 2482712-0
fax : +49 (0) 40 2482712-22

email : info@alsteraero.com
web : www.alsteraero.com