

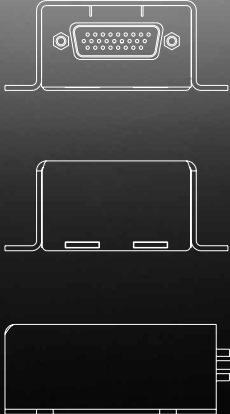
RTC

DESCRIPTION

RealTime Clock Unit

The RTCU provides a battery backed up clock and configuration storage for CMS controllers.

The RTCU is connected to CMS controllers via a TIA-485 bus interface.

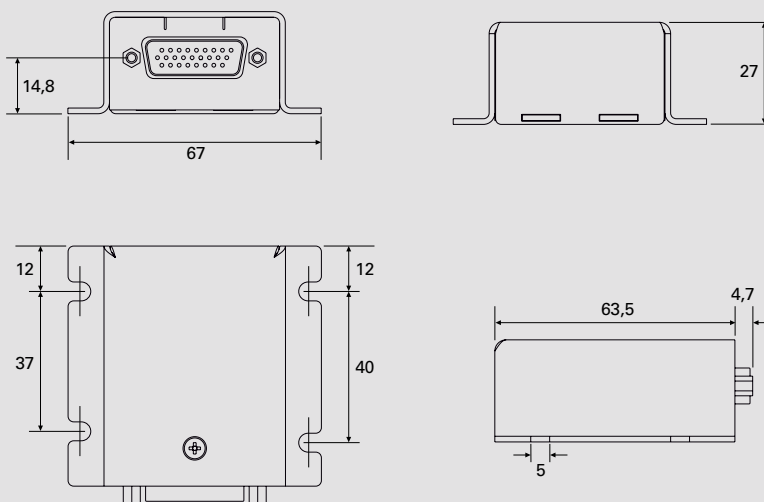


FEATURES

- compact size
- battery backed up time service for IFE/CMS system controllers
- only device with potentially hazardous battery
- 10 yr battery lifetime
- power supply by connected CMS controller or 28VDC
- RS-485 bus interface to CMS controllers.

OUTLINE DRAWING

dimensions are millimeter (mm)



QUALIFICATION

- DO160

CONTACT

AlsterAero GmbH
 Heidenkampsweg 43
 20097 Hamburg
 Germany



phone : +49 (0) 40 2482712-0
fax : +49 (0) 40 2482712-22

email : info@alsteraero.com
web : www.alsteraero.com